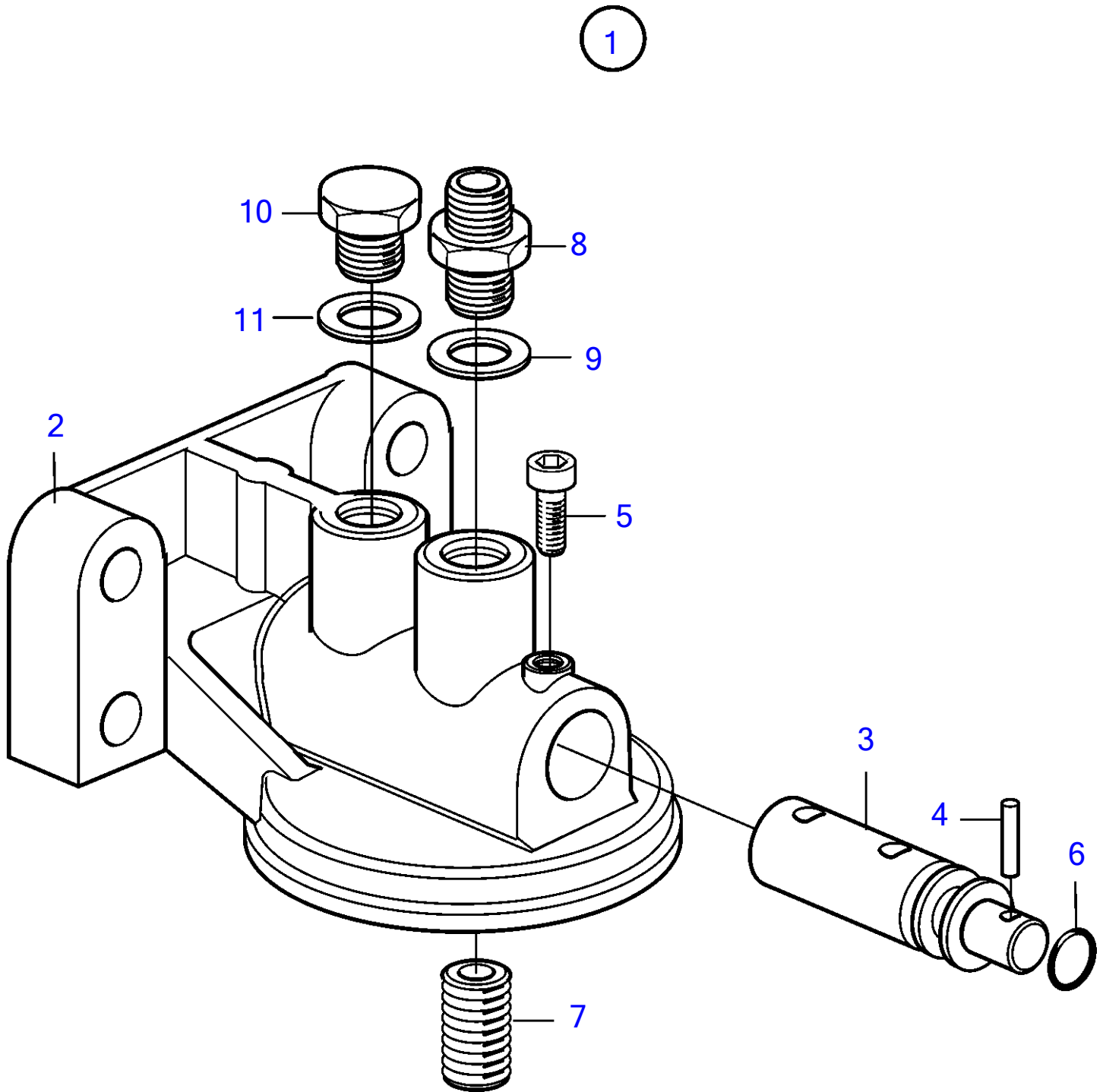


D12D-A MG, D12D-E MG



23584

D12D-A MG, D12D-E MG

REF	PART NO.	QTY	DESCRIPTION
1	20459650	1	Bracket
2		1	• Housing
3	1661686	1	• Spindle
4	951968	1	• Spring pin
5	961236	1	• Hex. socket screw
6	968725	1	• O-ring
7	1676554	1	• Nipple
8	941754	1	• Nipple
9	957178	1	• Gasket
10	960630	1	• Plug
11	969011	1	• Gasket